

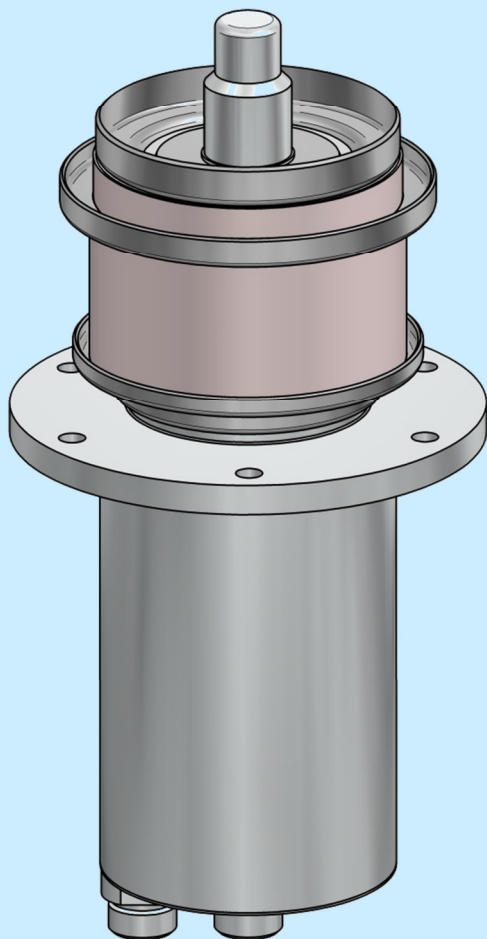
RD35ZM / RS3060CJ

Water-cooled power triode

Output power: 120 kW



TESLA
Electron**Tubes**



RD35ZM is water-cooled triode, made by metal-ceramic technology. This electron tube is intended for industrial generators up to 100 MHz. Application – RF heating, welding or hardening.

Maximum plate dissipation can be 40 kW. Output power is 120 kW in CW mode.

For operation in pulse mode, the parameters depends on equipment characteristics. Contact us for specific information.

RD35ZM / RS3060CJ

Water-cooled power triode

Output power: 120 kW



Technical specifications

Cathode	WTh	
Filament voltage	10	V
Filament current	190	A
Amplification factor	22	
Transconductance	50	mA/V
Capacitance		
• grid-anode	46	pF
• grid-cathode	95	pF
• cathode-anode	2.6	pF

Maximum ratings

Frequency	30	MHz
Anode voltage		
• < 15 MHz	14	kV
• ≥ 15 MHz	10	kV
Grid voltage	-1500	V
Grid current	2.8	A
Grid dissipation	1.2	kW
Anode dissipation	40	kW
Peak cathode current	70	A

Mechanical characteristics and cooling

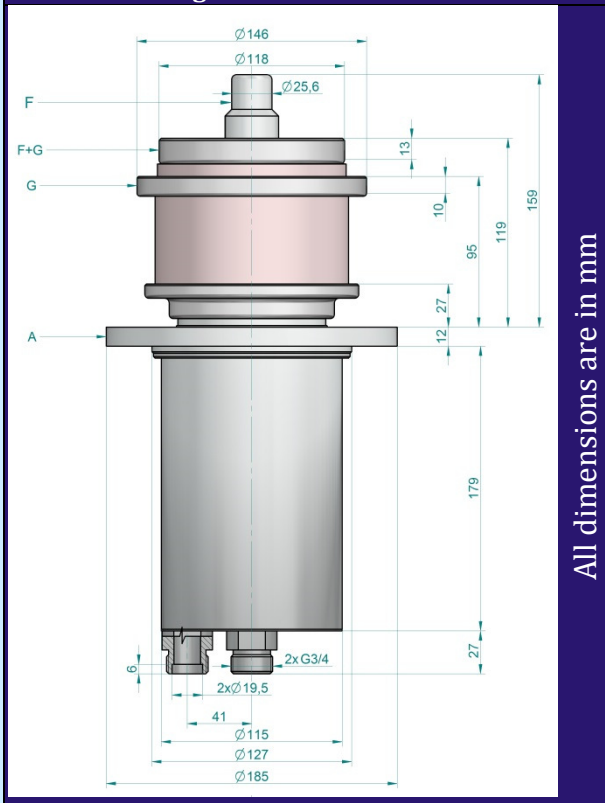
Anode cooling	water	
Water inlet temperature	35	°C
Temperature (any point of envelope)	220	°C
Water inlet pressure	10	bar
Water flow	33	l/min
Mounting position	vertical, anode up or down	
Weight	7.5	kg

Additional accessories*

- Grid contact ring
- Filament contact rings

*for detailed information please contact our sales department

Outline drawing



Constant current characteristics

